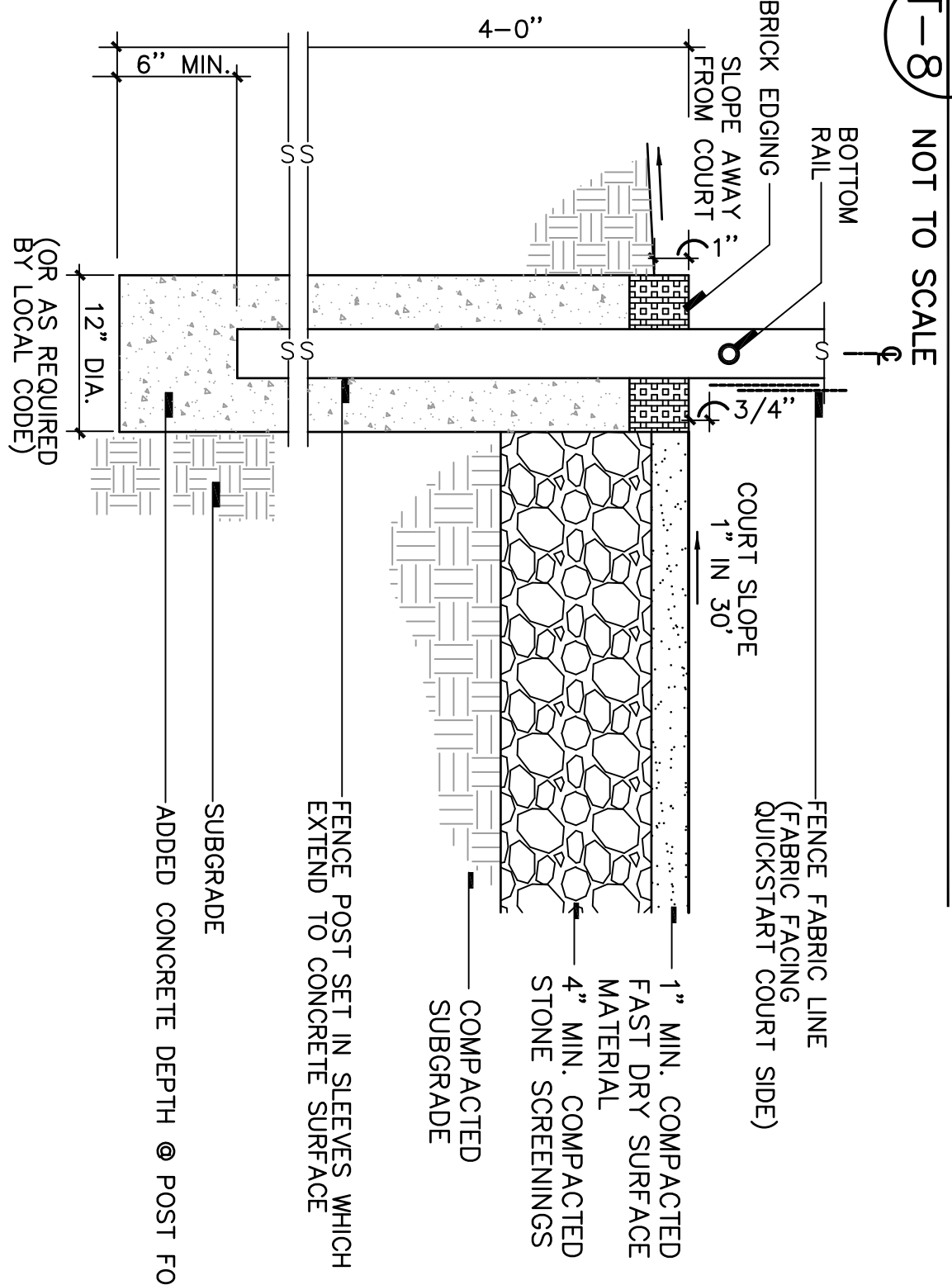


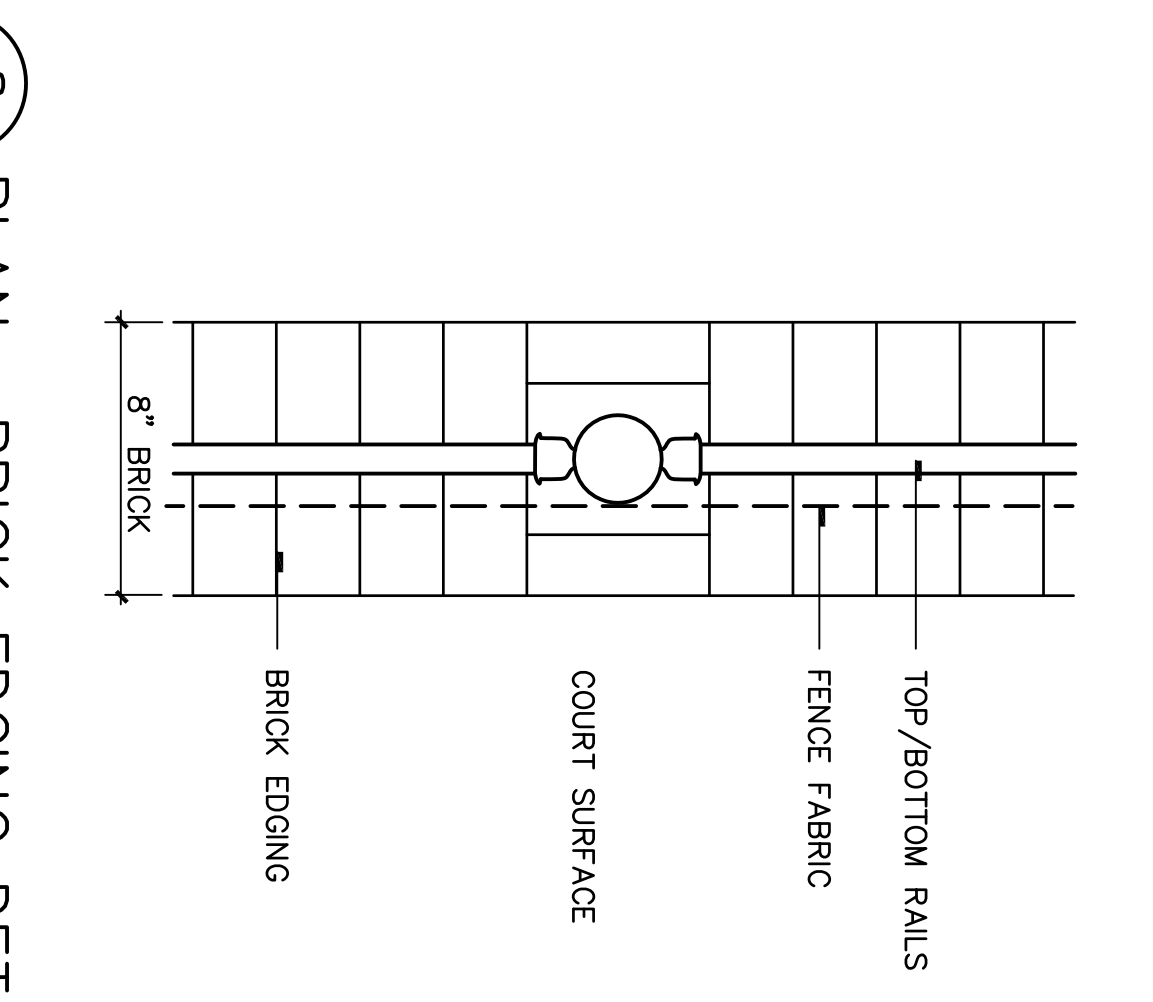
- NOTES:
1. ALL 60' COURT PLANNING LINES SHALL BE 2" WIDE.
 2. ALL 60' COURT PLANNING LINES SHALL BE MEASURED TO THE OUTSIDE EDGE OF THE LINES, WITH THE EXCEPTION OF THE COURT SURFACE WHICH LINES, WITH THE EXCEPTION OF CENTER LINE, SHALL BE SET 3/4" APART.
 3. NET POSTS SHALL BE SET 33 FEET APART FROM THE CENTER OF EACH POST. THE NET SHALL MEASURE 42 INCHES AT THE NET POST AND 36 INCHES AT THE CENTER OF THE COURT. GATE LOCATIONS SHOWN ARE OPTIONAL PER THE COURT AND WILL VARY PER THE LOCAL SITE CONDITIONS.

2 60 FOOT QUICKSTART COURT LINE LAYOUT
T-8 NOT TO SCALE

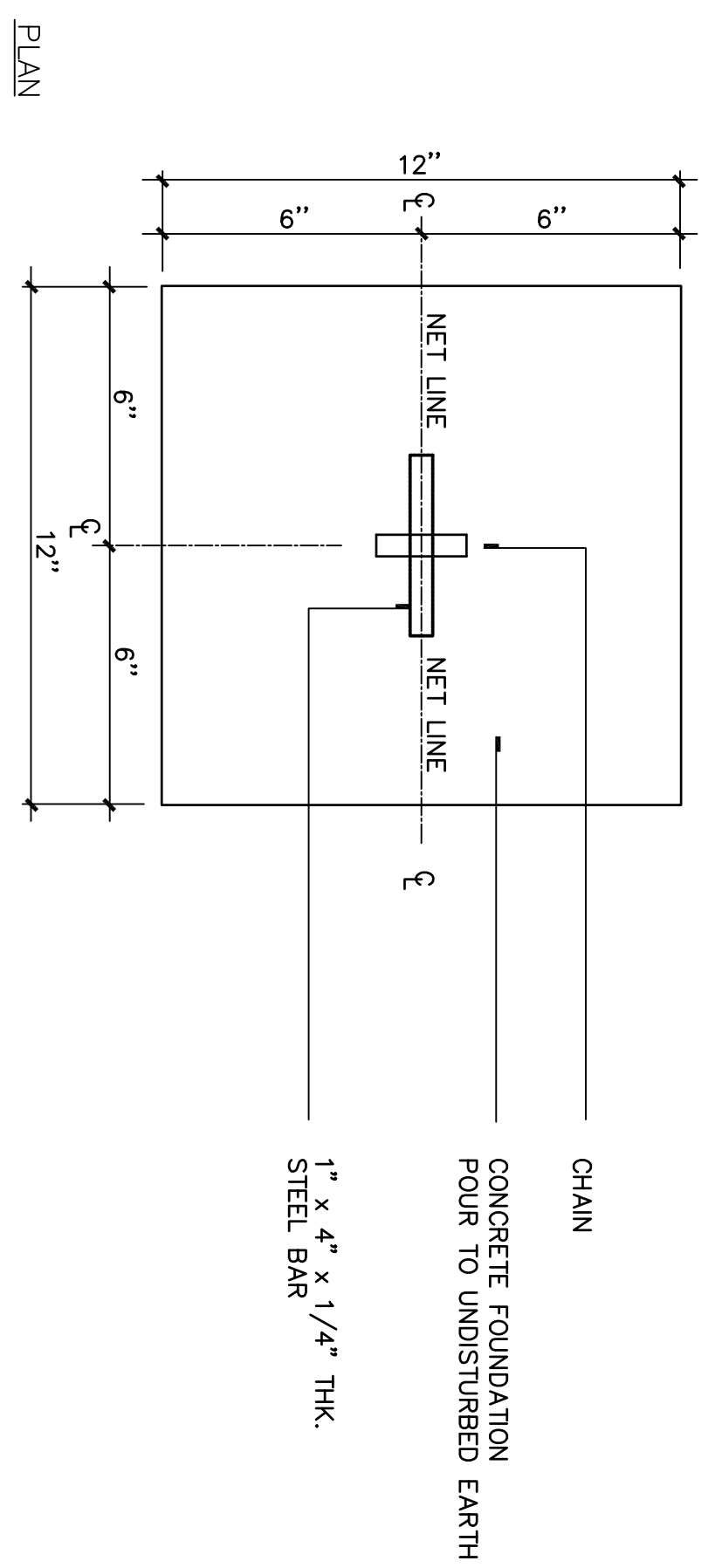


1 60 FOOT QUICKSTART COURT
T-8 NOT TO SCALE

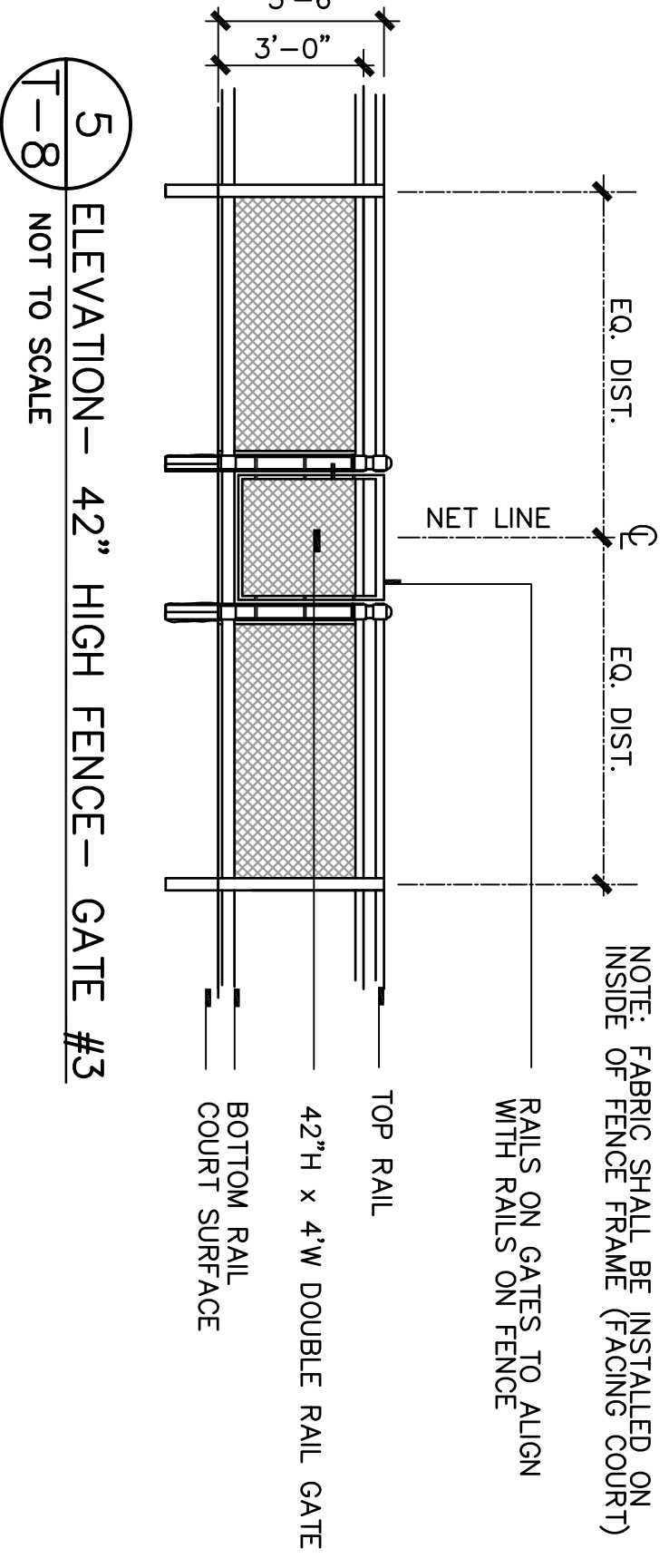
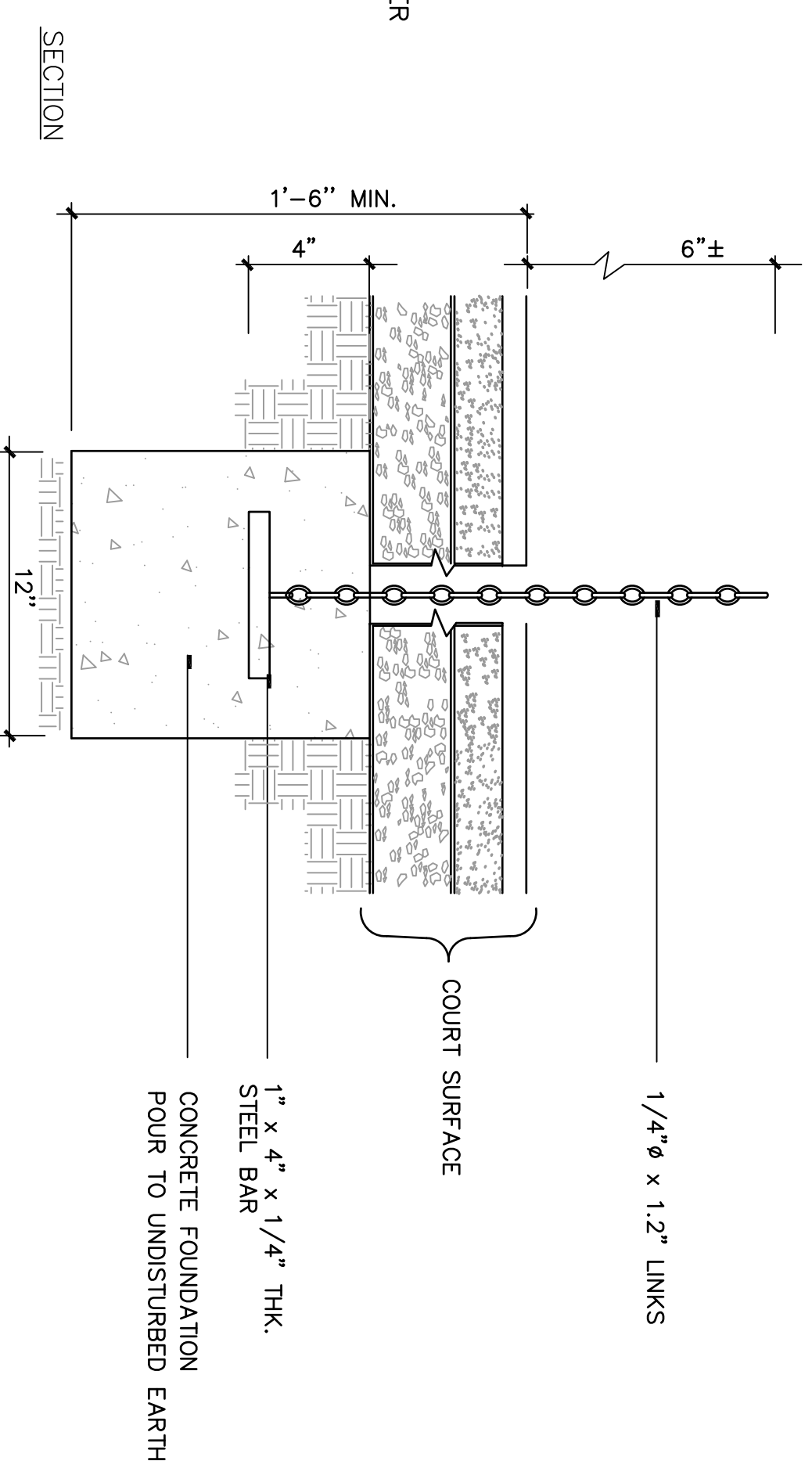
7 SECTION - CONCRETE FENCE POST FOUNDATION
T-8 NOT TO SCALE



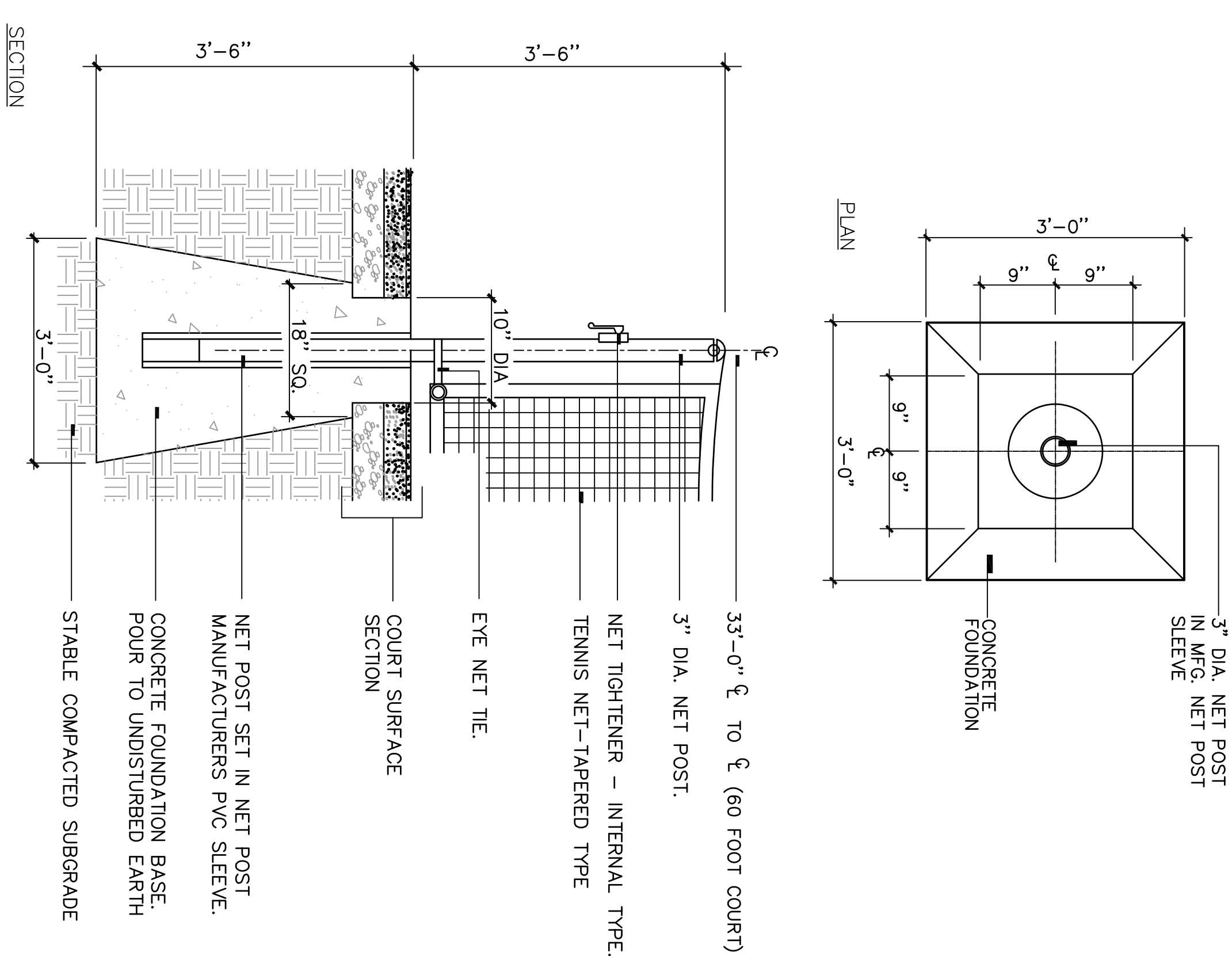
8 PLAN - BRICK EDGING DETAIL
T-7 NOT TO SCALE



3 CENTER STRAP ANCHOR DETAIL
T-8 NOT TO SCALE

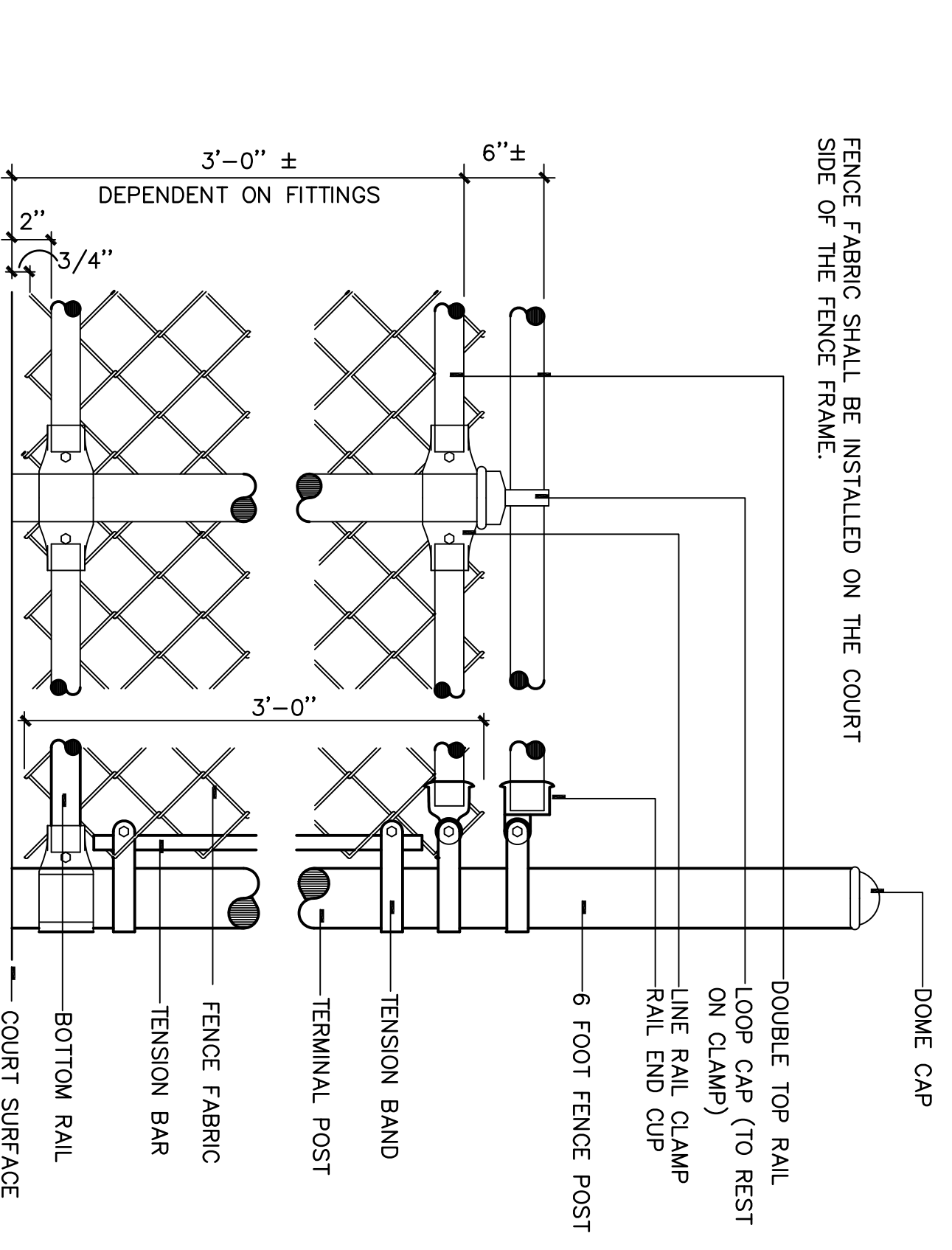
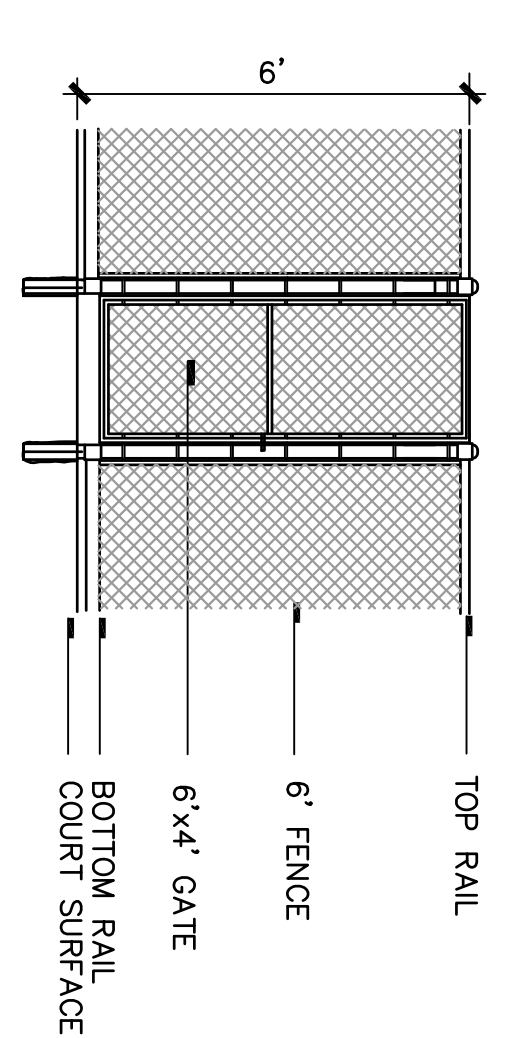


5 ELEVATION - 42" HIGH FENCE - GATE #3
T-8 NOT TO SCALE



4 NET POST DETAIL - 60 FOOT COURT
T-8 NOT TO SCALE

6 TYPICAL ELEVATION - PLAYER ENTRANCE GATE
(INTO 60 FOOT QUICKSTART COURTS)
T-8 NOT TO SCALE



9 ELEVATION ENLARGEMENT DOUBLE TOP RAIL FENCE
T-8 NOT TO SCALE

PROJECT NAME:
60 FOOT TENNIS - CLAY COURTS

UNITED STATES TENNIS ASSOCIATION
70 WEST RED OAK LANE
WHITE PLAINS, NEW YORK 10604
DAVID W. LASOTA, TENNIS FACILITY CONSULTANT
VIRGIL CHRISTIAN, DIRECTOR, COMMUNITY TENNIS DEVELOPMENT
(914) 897-2366

DRAWING DATE: MAY 31, 2018
DRAWN BY: DWL
CHECKED BY: VHC

SCALE: AS SHOWN

DRAWING NAME: T-8 COURT DETAILS - ABOVE-GROUND IRRIGATION