



Green Ball Team Challenge



Thank You!

On behalf of the United States Tennis Association, thank you for hosting a Team Challenge!

By supporting this program, you are aligning your goals of shaping the future of the kids you teach every day with the goals of Net Generation and the USTA. Net Generation is a comprehensive development program for kids ages 5 through 18 that helps us grow tennis participation, instill the love of the game in future generations, and ensure that tennis remains a vibrant sport in our communities for years to come.

Team Challenge is an introduction to competition offering a low-pressure team environment for children of all ages to develop their skills through level-based play without an emphasis on instruction or results.

This manual will help you deliver a fantastic introduction to the sport of tennis to youth all over, which can lead to a lifelong love of tennis from the very first play opportunity.

Thank you for being a part of Net Generation and a provider of the Team Challenge!

Table of Contents

What is Net Generation?	3
About the American Development Model	4
What is a Team Challenge?	5
Team Challenge	
Getting Started.....	6
Program Roles	8
Court Setup	10
Program Setup	11
Team Challenge Lesson Plans	
#1 (single event or start of a series).....	13
#2 (of a series)	17
#3 (of a series)	21
#4 (of a series)	25
#5 (of a series)	29
#6 (of a series)	33

What is Net Generation?

We believe in creating a positive and welcoming environment for all youth players. By focusing on play, building character, and championing individual challenges, we empower kids to grow and develop at their own pace.

Skill Levels

It's all about providing players the opportunity to enjoy tennis on their own terms. Net Generation is for kids ages 5-18, and is designed to suit players based on their skill level and developmental readiness. This approach gives coaches the flexibility to modify lessons to better meet the needs of the players and facilitate development, making learning more fun.

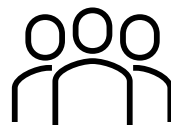
Programs

Whether it is during school or after-school program, a community-organized event, team tennis or a coaching session, Net Generation lets players get involved in the game through a variety of programs that cater to their different needs and skill levels.



Play in a Coaching Program

All of our coaching sessions are run by Safe Play approved United States Professional Tennis Association (USPTA), and Professional Tennis Registry (PTR)-certified, insured coaches, so players can have fun while learning from coaches invested in their coaching education.



Play in Your Community

Community programs are designed to introduce our game to kids (ages 5-18) of all abilities. They will be affordable, inclusive, and learn-rally-and-play focused. The easy-to-follow curricula were developed with tools and lessons designed to challenge kids in a fun and social way.



Play in Your School

We're partnering with schools, local educators, and SHAPE America, the leading organization setting national standards for physical education, to introduce tennis into their K-12 curricula. There are also a variety of after-school tennis programs.



Play in Competition

Net Generation also offers the opportunity to play team tennis, adding a healthy dose of competition that can push players to improve their skills while playing with friends.

About the American Development Model

In 2014, the United States Olympic & Paralympic Committee (USOPC), in partnership with the national governing bodies of sports, created the American Development Model (ADM) to help Americans realize their full athletic potential and utilize sport as a path toward an active and healthy lifestyle. The model uses long-term athlete development and quality coaching concepts to promote sustained physical activity, athlete safety, and age-appropriate development with the aim of creating a positive experience for American athletes across all levels of the sport. An ADM provides a foundational framework on which to build sports experiences for children and puts into practice the best research and applications from leading experts around the world.



Discover, Develop, Play

The foundational elements of the USTA's ADM are three-fold, discovering tennis playing skills while having fun, developing your tennis playing skills, and playing tennis your way. The need for youth to discover fun while playing sports has been well documented. Researchers have proven that kids want to have fun while playing a sport, to the point that is the main reason why they play.

Another foundational element is developing playing skills through physical literacy, which is the ability to move with competence and confidence in various physical activities that benefit the whole person's healthy development. Children need varied and expansive physical activity opportunities to help develop physical literacy, including exposure and appropriate instruction.

The third and last foundational element of the USTA's ADM is player centering. The pathways that tennis players take can vary tremendously. We at the USTA through the lens of the ADM challenge all athletes irrespective of their age or ability to find and develop their own journey, a philosophical approach of playing tennis while having fun, developing play skills, and playing your way.

Net Generation as an American Development Model

The guiding principles of Net Generation conform to an American Development Model (ADM) that is positioned as the aligning tool for all of USTA's stakeholders. From skill development to competition perspective, the ADM aims to achieve its objectives of stemming early specialization, developing multi-sport athletes, and increasing physical activity in youth. As the USTA refines its Long-Term Athlete Development plan, the ADM will form a critical component in how the USTA embraces core athlete development principles. The long-term goal is to allow American youth to utilize sport as a path toward an active and healthy lifestyle and to create opportunities to maximize their full potential. These key principles, tailored to the sport of tennis, include:



Universal Access

Make sure playing tennis is safe, accessible, local and affordable.



Developmentally Appropriate Coaching and Play

Emphasize movement skills through developmentally appropriate coaching and play.



Support Multi-Sport or Multi-Activity Participation

Build athletes through a multi-sport approach within tennis programming and cross-promotion with other sports and activities.



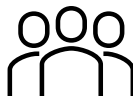
Fun and Player-Centered

Focus on creating a fun, positive, engaging atmosphere within an inclusive team culture rather than wins and losses.



Educate Coaches and Officials

Ensure diverse coaches and officials engaged with all ages and abilities are appropriately trained.



Parent/Player Guidance, Education, Health, and Transparency

Provide parents and players the information needed to guide their tennis development.



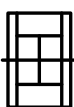
Clear Development Pathway

Integrate tennis into physical education programs in schools, recreational community programs, and advance into age- and skill-based programs and competitions.

What is a Team Challenge?

A Team Challenge is a USTA program designed as an introduction to competition for Net Generation players ages 5-18, focusing on team play, parent information, and character development. The Team Challenge is designed to be delivered either as a single event or as a series of events, with the objective of offering a competitive play experience that highlights teamwork and skill development in a fun, social environment.

The Team Challenge incorporates the ADM 5 C's that are essential in offering a kid-friendly tennis event:



Competence

Technical, tactical, and performance skills



Confidence

Self-belief, resilience, mental fortitude, and a sense of positive self-worth



Character

Respect for the sport and others, integrity, self-discipline, and ethical and moral well-being



Connection

Interpersonal skills and the ability to build and sustain meaningful and positive relationships



Creativity

Provides a unique and imaginative environment that encourages problem-solving and promotes individuality and self-reliance

COMPETENCE	CONFIDENCE	CHARACTER	CONNECTION	CREATIVITY
Play	Level-Based Play	Teamwork	Safe Environment	Free Play
Serve, Rally & Score	Positive	Sportsmanship	Friendships	Fun

Resources to Get Started

This provider manual will give you all the information needed to deliver a Team Challenge for your players. With these tools at your disposal, you will be up and running in no time!

Serve Tennis

Explore Serve Tennis, powerful digital tools brought to you by the USTA and made for tennis.

Here you can list your Team Challenge programs, take online payments, register players and more.

Access everything from the Tennis Service Center within your USTA account.

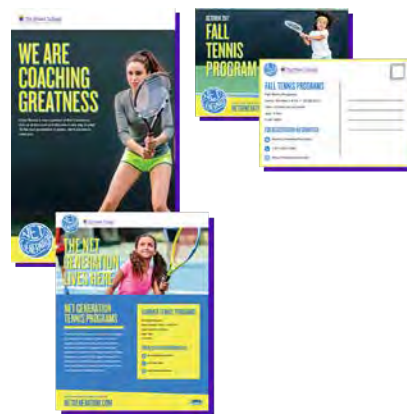
Visit [USTA.com/tennisservicecenter](https://www.usta.com/tennisservicecenter)



The USTA Marketing Generator

This tool in the Tennis Service Center on [USTA.com](https://www.usta.com) helps you customize your own professionally-designed marketing materials to promote your events.

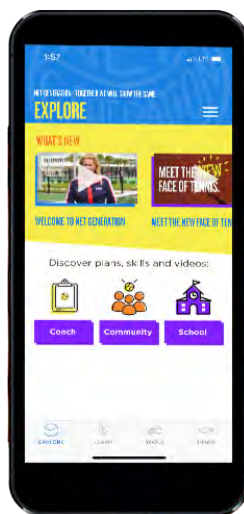
Create posters, flyers, postcards, and more.



Mobile App

Net Generation Mobile App: This free tool will give you access to world-class curricula and instructional teaching videos, as well as pre-built Net Generation lesson plans with the option to build your own.

Download the App Today!





Program Roles

Understand the different program roles and responsibilities to run the Team Challenge.

TEAM CHALLENGE PROVIDER

- Registered on Net Generation and Safe Play certified
- Plan, organize and manage the overall Team Challenge event
- Tennis experience recommended

TEAM CHALLENGE ASSISTANT

- Recruited by the Team Challenge Provider
- Tennis knowledge recommended

TEAM CHALLENGE COURT CAPTAIN

- Recruited by the Team Challenge Provider/Assistant
- No tennis experience required
- More information on the next page



USTA TEAM CHALLENGE COURT CAPTAIN

The **Court Captain** has the opportunity to help the program provider create a fun and encouraging low-pressure environment that can make a positive difference in a child's life.

The role of the Court Captain is to support and assist the program provider with activities that specifically reinforce athletic skills and character development, cooperative play, and team formation. This provides players the opportunity to enjoy tennis on their own terms, based on their skill level and developmental readiness. This approach allows providers the flexibility to modify lessons to better meet the needs of the players and facilitate development, making play more fun.

The goal of the Team Challenge is to allow for players to experience play in a less regulated environment. If play is not continuous or safe, Court Captains may provide the following assistance to participants:

- **Guidance through all aspects of point and match play (developmentally appropriate for each participant), as defined by the provider:**
 - o Safety - ensuring participants are aware of their spacing, racquet position, and ball retrieval
 - o Rallying - helping participants know how and when a rally begins and ends
 - o Scoring - helping participants understand and keep track of the score
- **Grouping and match play activities**
 - o Structure
 - Reinforcing the organization and length of each drill, game or match
 - Supporting the given learning activities within each lesson plan
 - o Transitions
 - Movement from one activity to another
 - Rotation from one court to another or on a specific court

Please feel free to discuss the role of the Court Captain in-depth with your Team Challenge provider to develop additional knowledge about the role as well as explore educational references to enhance your skills.

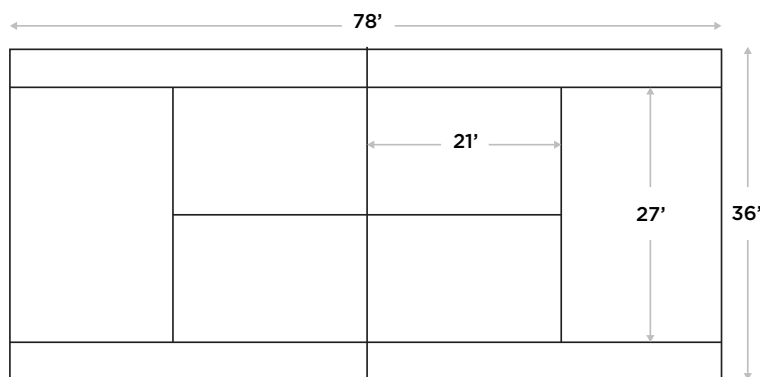
THE MOST SUCCESSFUL PROGRAMS AND EVENTS INCLUDE A COURT CAPTAIN.

By serving in this role, you will contribute to the success of the program by guiding and supporting play while promoting a safe and enjoyable experience for players. Through these efforts, you are setting the stage for players to continue to include tennis as part of an active lifestyle.

Thank you for your commitment to the growth and development of all children participating in this program!

Green Ball Court Setup

All Green Ball Team Challenge lessons will be setup on a full size tennis court:



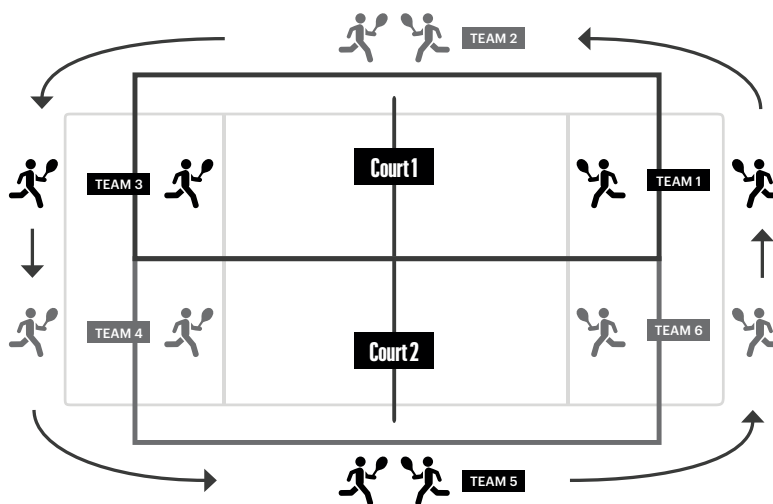
The Court

The Team Challenge will be played on a full sized tennis court that is 78 feet long and 36 feet wide.

Orange Ball Court Setup

Participants who do not meet the minimum play level requirement of being able to hold a modified rally (trapping or bumping) using green ball can participate in the following modified court setup using orange ball:

- Extend the 78-foot court net out an additional three feet on each side using barrier tape and something to tie it to (e.g. chair, ball hopper, etc.).
- Partner 12 players together into six teams (two players on each team).
- When on the court, partners will switch after each point, once a rally concludes. Using this diagram, Team 3 will rally with Team 1, and Team 4 will rally with Team 6.
- When players are at the net post, they can do “bump ups” or get water or use the restroom if necessary.
- The six teams/partners will rotate counterclockwise. The rotation below shows Team 4 as they navigate around the court.
- Court 2 >> Net Post >> Court 2 >> Court 1 >> Net Post >> Court 1.
- Using this rotation will have the players rotate every five minutes so all players will play four of all six rotations.
- If you have only up to eight players on the two courts, you can play five rotations of eight minute matches (instead of six rotations of five minutes).
- We recommend fewer players on the court in order to maximize play opportunities.



Program Setup

UNDERSTAND THE DIFFERENT COMPONENTS TO SET UP YOUR TEAM CHALLENGE.

Participant Level Requirement

- Players are expected to at least drop-hit serve from the service line over the net and sustain a modified rally (trapping, bumping, or hitting) to participate.

Determine Audience

- In-House – target audience is players from host facility
- Open – target audience is players from local community

Set the Date and Time

- Check the calendar for available dates
- Determine how it can boost upcoming or existing programming
- Look for potential conflicts (e.g. other tennis events, sports, activities)
- Confirm facility/court availability

Determine Budget

- Potential expenses (e.g. court fees, meal/snack)
- Your expenses will help determine the participation fee
- Look to bundle costs into existing programming

Recruit Volunteers

- Teaching pros, parents, high school players
- Assign roles

Get the Word Out

- Set up online registration on NetGeneration.com
- Post fliers around the community
- Contact local community providers, programs, and organizations
- Work with your local Community Tennis Association
- Send out emails, post on social media

Day of Program

- Set up courts
- Identify welcome area
- Print volunteer and parent handouts
- Lay out equipment
- Organize player giveaways
- Coordinate meal/snack

Team Challenge Series Schedule

The Team Challenge is flexible and is designed to be delivered either as a single event/day or as a series of lesson plans for up to six events/weeks.

#1	#2	#3	#4	#5	#6
ADM Theme Team Friendships	ADM Theme Team Dynamics	ADM Theme Quick Transitions	ADM Theme Stick to Plan	ADM Theme Positive Coaching	ADM Theme Team Rituals
Free Play	Free Play	Free Play	Free Play	Free Play	Free Play
Athletic Development *Four Corner Toss	Athletic Development *Fence Throws	Athletic Development *4x4 Tag	Athletic Development *Quarterback	Athletic Development *Shuffle Toss	Athletic Development *Player's Choice
Character Development *Listen	Character Development *Respect	Character Development *Effort	Character Development *Teamwork	Character Development *Responsibility	Character Development *Sportsmanship
Co-op Play	Co-op Play (optional)	Co-op Play (optional)	Co-op Play (optional)	Co-op Play (optional)	Co-op Play (optional)
Form Teams	Form Teams	Form Teams	Form Teams	Form Teams	Form Teams
Team Competition	Team Competition	Team Competition	Team Competition	Team Competition	Team Competition

Parent Meeting

Wrap Up	Wrap Up	Wrap Up	Wrap Up	Wrap Up	Wrap Up
Meal/Snack (optional)	Meal/Snack (optional)	Meal/Snack (optional)	Meal/Snack (optional)	Meal/Snack (optional)	Meal/Snack (optional)

Team Challenge 01

ADM Theme

Action: Team Friendships-
Ensure players have name tags and they meet at least 3 other kids.

I. Free Play (15 minutes)

- Provider welcomes players as they arrive
- Provider gives name tags to participants
- Provider recruits and assigns volunteer roles
- Assistant determines a general assessment of participants

II. Athletic Development (5 minutes)

Four Corner Toss

SETUP

- Pair up players, maximum of four pairs on each side of the net
- Pairs face each other about four feet apart, with four green balls

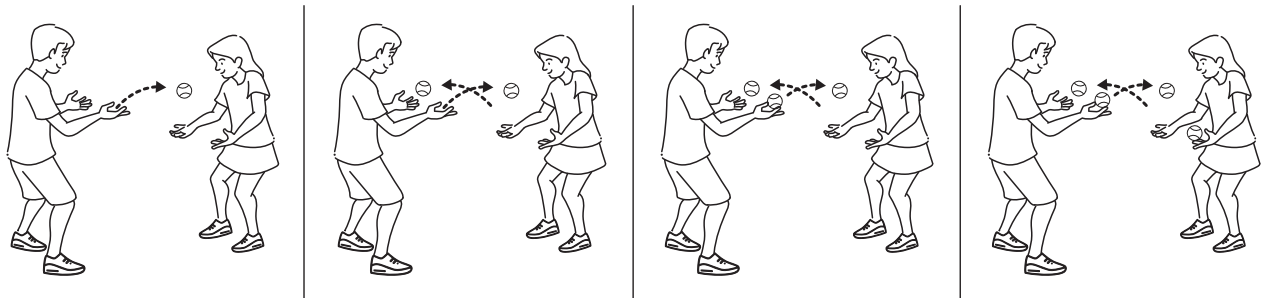
MISSION (LEVEL 1)

- Player tosses a ball (palm up) with right hand to partner, who catches in the air with the left hand
- Partner passes the ball from the left hand to the right, and tosses it back to player's left hand – repeat
- Once successful, add a second ball, continuing to toss and catch in the same sequence

Level 2: Add a third ball, then a fourth

Level 3: Catch balls while moving sideways

ILLUSTRATION: FOUR CORNER TOSS



III. Character Development (3 minutes)

Pledge

I will listen to my coach, be nice to my teammates, try my best and HAVE FUN!

Word of the Day: LISTEN

Provider will introduce the character development

- What makes a good listener/communicator?
- How can we show our partner that we are listening to them?
- How can we best communicate to our partner?

IV. Cooperative Play (15 minutes)

- Provider and assistant will pair the participants
- Participants will start a cooperative rally
- Participants rally and count each ball hit in the court
- Participants will try and beat their rally score during this time period
- Provider and assistant will make changes based on participants' levels

V. Team Formation (5 minutes)

- Provider and assistant put participants into groups according to playing level
- Parent volunteers help teams come up with team names
- Parent volunteers help coordinate team match play
- Participants who do not meet the minimum play level requirement of being able to hold a modified rally (trapping or bumping) using green ball can participate in a modified court setup using orange ball (see page 10).
- Parent volunteers help to facilitate

VI. Team Competition (30 minutes)

- Provider, assistant, and parent volunteers facilitate match play for players who can at least drop-hit serve from the service line over the net and sustain a modified rally (trapping, bumping, or hitting)
- During the first rotation of play, the provider will conduct a parent meeting. Talking points are available to help guide you.

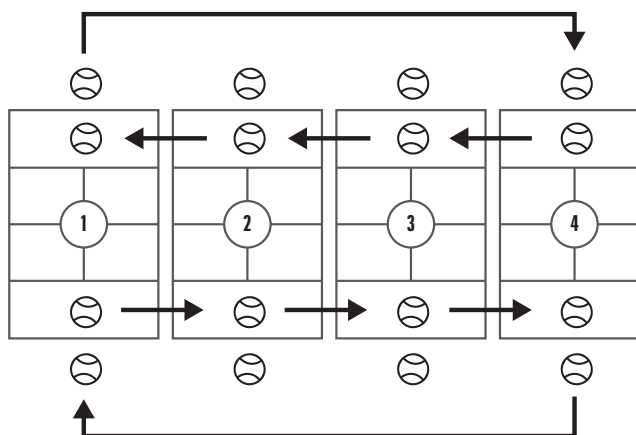
Matches are team singles

- One or two players from a team can be put on each side of the court, with one player starting the point by stepping inside the court to drop-hit the serve
- If there is a second player on their side of the court, they will wait behind the middle of the baseline. After the point ends, the second player will replace the first player
- This rotation of play on each side of the court continues after each point is played
- If there is only one player on the side of the court, they will play the entire timed match
- Place players on opposite sides of the court
- Both players on both sides move one place after the timed match ends
- The players on the last court move to the first court on the opposite end
- Playing a match or competition for the first time can be very daunting and even stressful for many beginner players. It is important for the tennis coach to ensure that the beginner players feel comfortable playing points and with that, they are confident with how they can win and lose points
- Point play begins with an overhead serve to opponent
- Players may have two chances to serve overhead, followed by one chance to drop hit serve
- Opponents alternate serves every two points
- Score is kept in single numbers using a fun scoring method (clothespins)
- Players rotate at the end of the allotted time
- As a reminder, providers will not emphasize scoring by keeping track of the results at the end of a rotation
- Players will shake hands, replace their clothespins, and rotate to their next match
- Participants may win and lose the points in competition by:
 - Missing the ball
 - Hitting the ball out of the court area
 - Hitting the ball into the net
 - Allowing the ball to bounce twice without returning it
 - Double faulting (i.e. missing both the first and second serves)

Quick Tip

Points are kept with clothespins to facilitate the players learning how to keep score.

ILLUSTRATION: TEAM SINGLES ROTATION



One minute of transition from match to match:

- Five team matches, each eight minutes long. During the first rotation, the provider conducts a parent meeting.

Parent Meeting Talking Points

INTRODUCTIONS

- Briefly introduce yourself and other key people helping with the event
- Explain what a Team Challenge is – introduction to competition; attempting to serve, rally and score over a net; modifications are made so players can be successful
- Mention importance of character development and parent education

CHARACTER DEVELOPMENT

- Working as part of a team will strengthen your child's social and emotional skills, help develop communication skills, and improve confidence
- A lot of teamwork comes from making sure your child has children his or her age to socialize and work together with?
- Additional value can also be derived from conversations with your child
- Parents should give positive comments when you see your child, a sibling or a friend promoting cooperating well or working well as a team
- Explain to your child how their action contributed to the overall success of the team
- As you watch a team event, talk about what you see and ask questions about what your child is observing

BENEFITS OF NET GENERATION

- Tennis now is kid-friendly similar to other youth sports
- Balls are lighter, softer and move slower through the air
- The court is smaller, allowing for better court coverage and giving kids the opportunity to learn an all-court game
- Racquets are shorter and lighter, enabling kids to swing and maneuver the racquet more easily
- Each child's development should be looked at as a process instead of a race to the 78-foot court and the yellow ball
- Your child will develop skills faster, build more confidence, and HAVE MORE FUN
- Tennis is a lifetime sport

PROMOTE OTHER PLAY OPPORTUNITIES

- Leverage the opportunity to promote your upcoming events and programs

VII. Wrap Up (2 minutes)

Character Development

Provider reviews the play for the day and discusses listening as a key ingredient of character development.

- Who can you work on listening to better at home?
- How can listening help you at home and school?

Finish with a chant of encouragement and have participants huddle together stacking hands.

VIII. Meal/Snack (Optional)

Team Challenge 02

ADM Theme

Action: Positive Team Dynamics: Throughout the event, follow through on the character word of the day (respect).

I. Free Play (15 minutes)

- Provider welcomes players as they arrive
- Provider gives name tags to participants
- Provider recruits and assigns volunteer roles
- Assistant determines a general assessment of participants

II. Athletic Development (5 minutes)

Fence Throws

SETUP

- Players are in pairs, one outside the fence, the other inside
- Both players are about 10 feet from the fence
- Each pair has two green balls

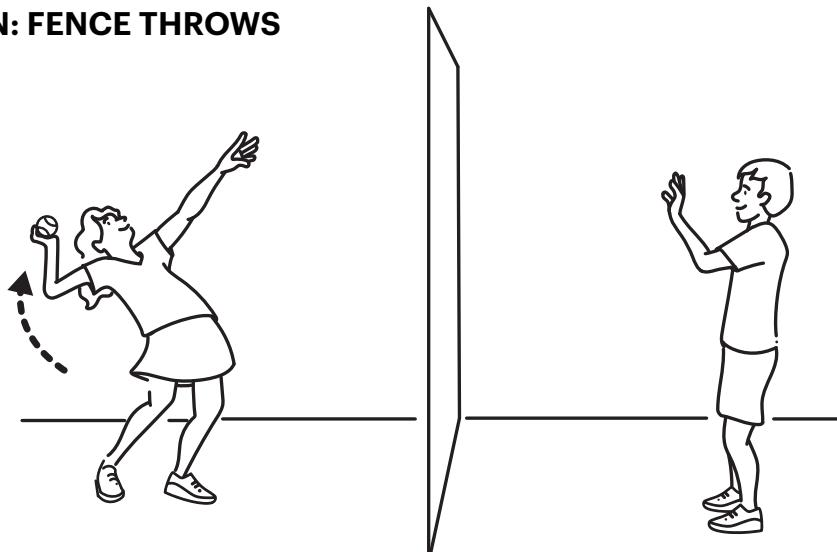
MISSION (LEVEL 1)

- Players will throw the ball over the fence so partner can catch the ball without having to move far
- Throw two balls; partner catches and throws both balls back

Level 2: Start with the ball on the ground behind the back foot

Level 3: Serve with the racquet and a ball over the fence

ILLUSTRATION: FENCE THROWS



III. Character Development (3 minutes)

Pledge

I will listen to my coach, be nice to my teammates, try my best and HAVE FUN!

Word of the Day: RESPECT

Provider will introduce the character development

- What does respect mean to you?
- Who are people you respect and why?
- Should you respect someone if you don't feel respected? What can you do?

IV. Team Formation (5 minutes)

- Provider and assistant put participants into groups according to playing level
- Parent volunteers help teams come up with team names
- Parent volunteers help coordinate team match play
- Participants who do not meet the minimum play level requirement of being able to hold a modified rally (trapping or bumping) using green ball can participate in a modified court setup using orange ball (see page 6).
- Parent volunteers help to facilitate

Quick Tip

Participant levels are determined during the first Team Challenge of a Team Challenge Series. Cooperative play won't be necessary after the first Team Challenge unless new participants join.

V. Team Competition (45 minutes)

- Provider, assistant, and parent volunteers facilitate match play for players who can at least drop-hit serve from the service line over the net and sustain a modified rally (trapping, bumping, or hitting)

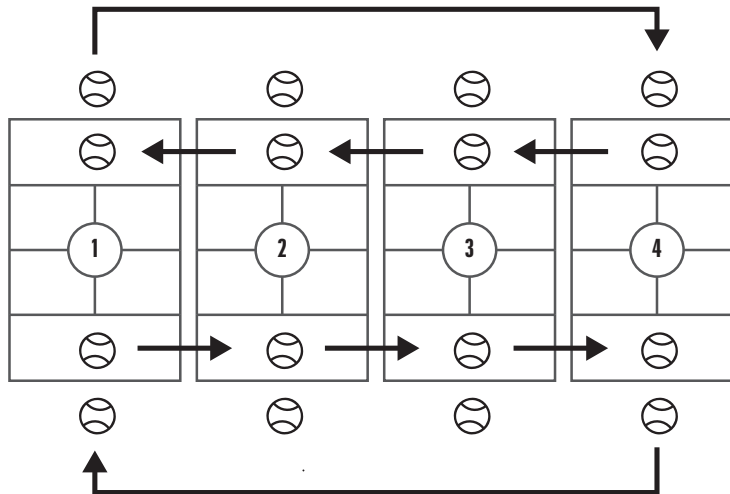
Matches are team singles

- One or two players from a team can be put on each side of the court, with one player starting the point by stepping inside the court to overhead serve
- If there is a second player on their side of the court, they will wait behind the middle of the baseline
- After the point ends, the second player will replace the first player
- This rotation of play on each side of the court continues after each point is played
- If there is only one player on the side of the court, they will play the entire timed match
- Place players on opposite sides of the court
- Both players on both sides move one place after the timed match ends
- The players on the last court move to the first court on the opposite end
- Playing a match or competition for the first time can be very daunting and even stressful for many beginner players
- It is important for the tennis coach to ensure that the beginner players feel comfortable playing points and that they are confident with how they can win and lose points
- Point play begins with a drop-hit serve to the opponent
- Players may have two chances to serve
- Opponents alternate serves every two points
- Score is kept in single numbers using a fun scoring method (clothespins)
- Players rotate at the end of the allotted time
- As a reminder, providers will not emphasize scoring by keeping track of the results at the end of a rotation
- Players will shake hands, replace their clothespins, and rotate to their next match.
- Participants may win and lose the points in competition by:
 - Missing the ball
 - Hitting the ball out of the court area
 - Hitting the ball into the net
 - Allowing the ball to bounce twice without returning it
 - Double faulting (i.e. missing both the first and second serves)

Quick Tip

Points are kept with clothespins to facilitate the players learning how to keep score.

ILLUSTRATION: TEAM SINGLES ROTATION



One minute of transition from match to match:

Play five Team Matches, each eight minutes long.

VI. Wrap Up (2 minutes)

Character Development

Provider reviews the play for the day and discusses respect as a key ingredient of character development.

- How does respecting your teammate/coach make you a better tennis player?
- Is there someone in the community that you should show more respect to?

Finish with a chant of encouragement and have participants huddle together stacking hands in the middle.

VII. Meal/Snack (Optional)

Team Challenge 03

ADM Theme

Action: Quick transitions: Have as little down time (great time for drink break) as possible between components of Team Challenge.

I. Free Play (15 minutes)

- Provider welcomes players as they arrive
- Provider gives name tags to participants
- Provider recruits and assigns volunteer roles
- Assistant determines a general assessment of participants

II. Athletic Development (5 minutes)

4x4 Tag

SETUP

- Create a square on each side of the net using the baseline and sidelines of the 78-foot court, and adding TDL's or cones in front of the net
- Put up to eight players on each side of the net, with half of the group on one corner of the square, the other half on the opposite corner

MISSION (LEVEL 1)

- One player from each team is in the box – a tagger and an avoider
- The avoider attempts to dodge the tag for seven seconds, and the game is over when someone is tagged or steps out of the playing area
- When finished, players go to the back of the opposite line and the next two begin
- In intervals, switch teams and tagger/avoider
- **Level 2:** Shrink Square
- **Level 3:** Create a different shape

III. Character Development (3 minutes) ✓

Pledge

I will listen to my coach, be nice to my teammates, try my best and HAVE FUN!

Word of the Day: EFFORT

Provider will introduce the character development

- What does effort mean to you?
- How do you show good effort on the court?

IV. Team Formation (5 minutes) ★

- Provider and assistant put participants into groups according to playing level
- Parent volunteers help teams come up with team names
- Parent volunteers help coordinate team match play
- Participants who do not meet the minimum play level requirement of being able to hold a modified rally (trapping or bumping) using green ball can participate in a modified court setup using orange ball (see page 6).
- Parent volunteers help to facilitate

Quick Tip

Participant levels are determined during the first Team Challenge of a Team Challenge Series. Cooperative play won't be necessary after the first Team Challenge unless new participants join.

V. Team Competition (45 minutes)

- Provider, assistant, and parent volunteers facilitate match play for players who can at least drop-hit serve from the service line over the net and sustain a modified rally (trapping, bumping, or hitting)

Matches are team singles

- One or two players from a team can be put on each side of the court, with one player starting the point by stepping inside the court to drop-hit the serve
- If there is a second player on their side of the court, they will wait behind the middle of the baseline
- After the point ends, the second player will replace the first player
- This rotation of play on each side of the court continues after each point is played
- If there is only one player on the side of the court, they will play the entire timed match.
- Place players on opposite sides of the court
- Both players on both sides move one place after the timed match ends
- The players on the last court move to the first court on the opposite end
- Playing a match or competition for the first time can be very daunting and even stressful for many beginner players. It is important for the tennis coach to ensure that the beginner players feel comfortable playing points and with that, they are confident with how they can win and lose points.
- Point play begins with a drop-hit serve to the opponent
- Players may have two chances to serve
- Opponents alternate serves every two points
- Score is kept in single numbers using a fun scoring method (clothespins)
- At the end of the allotted time, players then rotate
- As a reminder, providers will not emphasize scoring by keeping track of the results at the end of a rotation. Players will shake hands, replace their clothespins, and rotate to their next match.
- Participants may win and lose the points in competition by:
 - Missing the ball
 - Hitting the ball out of the court area
 - Hitting the ball into the net
 - Allowing the ball to bounce twice without returning it
 - Double faulting (i.e. missing both the first and second serves)

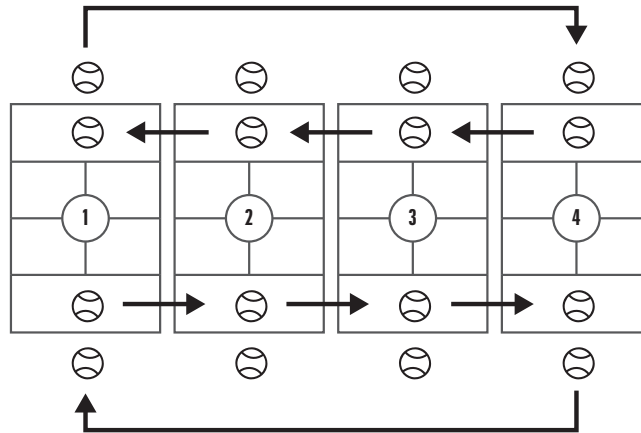
Quick Tip

Points are kept with clothespins to facilitate the players learning how to keep score.

One minute of transition from match to match:

Play five Team Matches, each eight minutes long.

ILLUSTRATION: TEAM SINGLES ROTATION



VI. Wrap Up (2 minutes)

Character Development

Provider reviews the play for the day and discusses effort as a key ingredient of character development.

- Rate your effort (1 being terrible and 5 the best!)
- Where can you improve your effort? (Encourage school, other sports, or at home)

Finish with a chant of encouragement and have participants huddle together stacking hands in the middle.

VII. Meal/Snack (Optional)

Team Challenge 04

ADM Theme

Action: Stick to Plan of Team Challenge

I. Free Play (15 minutes)

- Provider welcomes players as they arrive
- Provider gives name tags to participants
- Provider recruits and assigns volunteer roles
- Assistant determines a general assessment of participants

II. Athletic Development (5 minutes)

Quarterback

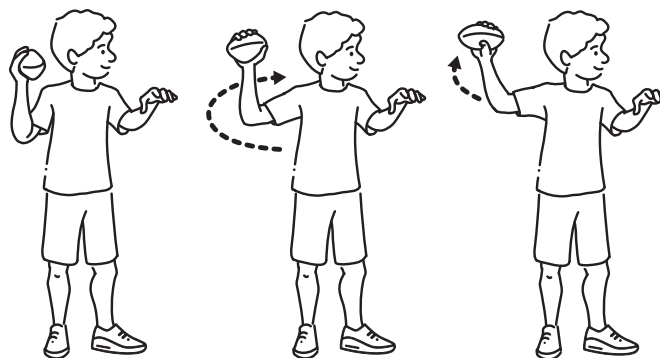
SETUP

- Pair up players, no more than three pairs on each side of the net
- Pairs are on opposite sidelines, one football between them
- Need help? Move closer
- Note: If there aren't enough footballs, use a tennis ball, or do station work where players are working on different activities

MISSION (LEVEL 1)

- Play catch with partner, working on throwing a spiral
- **Level 2:** Add distance
- **Level 3:** Add movement like a quarterback—face forward, turn and run back, set and throw

ILLUSTRATION: QUARTERBACK



III. Character Development (3 minutes)

Pledge

I will listen to my coach, be nice to my teammates,
try my best and HAVE FUN!

Word of the Day: TEAMWORK

Provider will introduce the character development

- How can you be a good teammate?
- Have you ever experienced a bad teammate? How did this make you feel? What did you do about it? Was it the best choice/were there other choices?

IV. Team Formation (5 minutes)

- Provider and assistant put participants into groups according to playing level
- Parent volunteers help teams come up with team names
- Parent volunteers help coordinate team match play
- Participants who do not meet the minimum play level requirement of being able to hold a modified rally (trapping or bumping) using green ball can participate in a modified court setup using orange ball (see page 6).
- Parent volunteers help to facilitate

Quick Tip

Participant levels are determined during the first Team Challenge of a Team Challenge Series. Cooperative play won't be necessary after the first Team Challenge unless new participants join.

V. Team Competition (45 minutes)

- Provider, assistant, and parent volunteers facilitate match play for players who can at least drop-hit serve from the service line over the net and sustain a modified rally (trapping, bumping, or hitting)

Matches are team singles

- One or two players from a team can be put on each side of the court, with one player starting the point by stepping inside the court to drop-hit the serve
- If there is a second player on their side of the court, they will wait behind the middle of the baseline
- After the point ends, the second player will replace the first player
- This rotation of play on each side of the court continues after each point is played
- If there is only one player on the side of the court, they will play the entire timed match.
- Place players on opposite sides of the court
- Both players on both sides move one place after the timed match ends
- The players on the last court move to the first court on the opposite end
- Playing a match or competition for the first time can be very daunting and even stressful for many beginner players. It is important for the tennis coach to ensure that the beginner players feel comfortable playing points and with that, they are confident with how they can win and lose points.
- Point play begins with a drop-hit serve to the opponent
- Players may have two chances to serve
- Opponents alternate serves every two points
- Score is kept in single numbers using a fun scoring method (clothespins)
- At the end of the allotted time, players then rotate
- As a reminder, providers will not emphasize scoring by keeping track of the results at the end of a rotation. Players will shake hands, replace their clothespins, and rotate to their next match.
- Participants may win and lose the points in competition by:
 - Missing the ball
 - Hitting the ball out of the court area
 - Hitting the ball into the net
 - Allowing the ball to bounce twice without returning it
 - Double faulting (i.e. missing both the first and second serves)

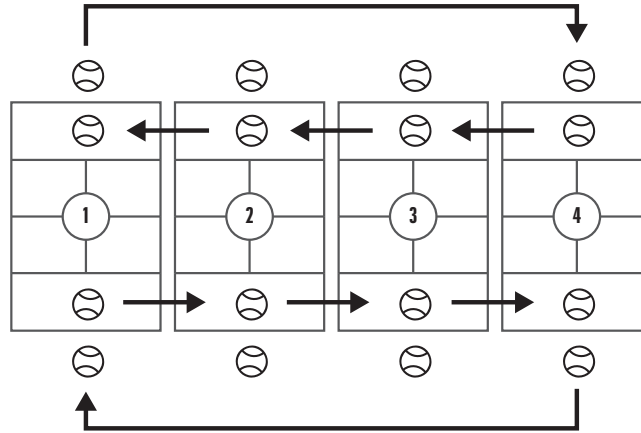
Quick Tip

Points are kept with clothespins to facilitate the players learning how to keep score

One minute of transition from match to match:

Play five Team Matches, each eight minutes long.

ILLUSTRATION: TEAM SINGLES ROTATION



VI. Wrap Up (2 minutes)

Character Development ✓

Provider reviews the play for the day and discusses teamwork as a key ingredient of character development.

- Did anyone's partner improve throughout the lesson?
- What is one thing you can do to be a better teammate?

Finish with a chant of encouragement and have participants huddle together stacking hands in the middle.

VII. Meal/Snack (Optional)

Team Challenge 05

I. Free Play (15 minutes)

- Provider welcomes players as they arrive
- Provider gives name tags to participants
- Provider recruits and assigns volunteer roles
- Assistant determines a general assessment of participants

II. Athletic Development (5 minutes)

Shuffle Toss

SETUP

- Pair up players, three to four pairs on each side of the net
- Pairs on sideline facing each other, with one green ball

MISSION (LEVEL 1)

- Players shuffle from sideline to sideline while bouncing the ball downward (palm down) to partner, who catches and bounces it back
- Use lead hand only to toss and catch, e.g., when moving to the left, catch with left hand

Level 2: Toss and catch in air

Level 3: Alternate catching two after the bounce, then two in the air

ADM Theme

Action: Positive
Coaching: Ensure team captains are showing positive outlook and encouragement.

III. Character Development (3 minutes)

Pledge

I will listen to my coach, be nice to my teammates, try my best and HAVE FUN!

Word of the Day: RESPONSIBILITY

Provider will introduce the character development

- What does it mean to be responsible?
- How can you be responsible when coming to or leaving from tennis?

IV. Team Formation (5 minutes)

- Provider and assistant put participants into groups according to playing level
- Parent volunteers help teams come up with team names
- Parent volunteers help coordinate team match play
- Participants who do not meet the minimum play level requirement of being able to hold a modified rally (trapping or bumping) using green ball can participate in a modified court setup using orange ball (see page 6).
- Parent volunteers help to facilitate

Quick Tip

Participant levels are determined during the first Team Challenge of a Team Challenge Series. Cooperative play won't be necessary after the first Team Challenge unless new participants join.

V. Team Competition (45 minutes)

- Provider, assistant, and parent volunteers facilitate match play for players who can at least drop-hit serve from the service line over the net and sustain a modified rally (trapping, bumping, or hitting).

Matches are team singles

- One or two players from a team can be put on each side of the court, with one player starting the point by stepping inside the court to drop-hit the serve
- If there is a second player on their side of the court, they will wait behind the middle of the baseline
- After the point ends, the second player will replace the first player
- This rotation of play on each side of the court continues after each point is played
- If there is only one player on the side of the court, they will play the entire timed match
- Place players on opposite sides of the court
- Both players on both sides move one place after the timed match ends
- The players on the last court move to the first court on the opposite end
- Playing a match or competition for the first time can be very daunting and even stressful for many beginner players. It is important for the tennis coach to ensure that the beginner players feel comfortable playing points and with that, they are confident with how they can win and lose points.
- Point play begins with a drop-hit serve to the opponent
- Players may have two chances to serve
- Opponents alternate serves every two points
- Score is kept in single numbers using a fun scoring method (clothespins)
- At the end of the allotted time, players then rotate
- As a reminder, providers will not emphasize scoring by keeping track of the results at the end of a rotation
- Players will shake hands, replace their clothespins, and rotate to their next match.
- Participants may win and lose the points in competition by:
 - Missing the ball
 - Hitting the ball out of the court area
 - Hitting the ball into the net
 - Allowing the ball to bounce twice without returning it
 - Double faulting (i.e. missing both the first and second serves)

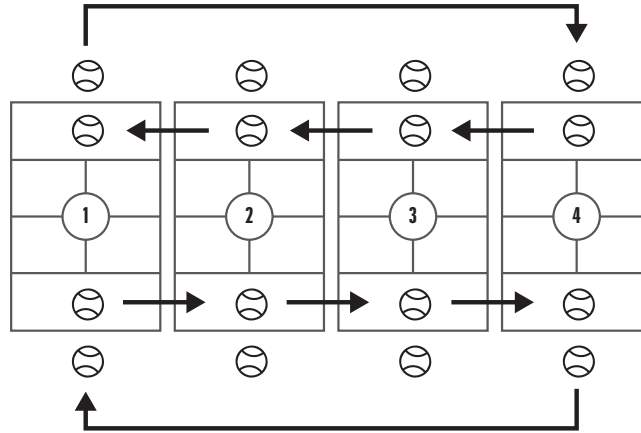
Quick Tip

Points are kept with clothespins to facilitate the players learning how to keep score

One minute of transition from match to match:

Play five Team Matches, each eight minutes long.

ILLUSTRATION: TEAM SINGLES ROTATION



VI. Wrap Up (2 minutes)

Character Development ✓

Provider reviews the play for the day and discusses responsibility as a key ingredient of character development.

- How can you take responsibility for your tennis?
- What is another way you can be responsible at home/school?

Finish with a chant of encouragement and have participants huddle together stacking hands in the middle.

VII. Meal/Snack (Optional)

Team Challenge 06

ADM Theme

Action: Team Rituals:
Follow through on team names, and cheer. Finish season with a party.

I. Free Play (15 minutes)

- Provider welcomes players as they arrive
- Provider gives name tags to participants
- Provider recruits and assigns volunteer roles
- Assistant determines a general assessment of participants

II. Athletic Development (5 minutes)

Player's Choice

Ask the players what warm up they would like to do.

III. Character Development (3 minutes)

Pledge

I will listen to my coach, be nice to my teammates, try my best and HAVE FUN!

Word of the Day: SPORTSMANSHIP

Provider will introduce the character development

- What does sportsmanship mean?
- How will you show sportsmanship today?
- Can anyone name an athlete who shows good sportsmanship and talk about how they show it?

IV. Team Formation (5 minutes)

- Provider and assistant put participants into groups according to playing level
- Parent volunteers help teams come up with team names
- Parent volunteers help coordinate team match play
- Participants who do not meet the minimum play level requirement of being able to hold a modified rally (trapping or bumping) using green ball can participate in a modified court setup using orange ball (see page 6).
- Parent volunteers help to facilitate

Quick Tip

Participant levels are determined during the first Team Challenge of a Team Challenge Series. Cooperative play won't be necessary after the first Team Challenge unless new participants join.

V. Team Competition (45 minutes)

- Provider, assistant, and parent volunteers facilitate match play for players who can at least drop-hit serve from the service line over the net and sustain a modified rally (trapping, bumping, or hitting).

Matches are team singles

- One or two players from a team can be put on each side of the court, with one player starting the point by stepping inside the court to drop-hit the serve
- If there is a second player on their side of the court, they will wait behind the middle of the baseline
- After the point ends, the second player will replace the first player
- This rotation of play on each side of the court continues after each point is played
- If there is only one player on the side of the court, they will play the entire timed match.
- Place players on opposite sides of the court
- Both players on both sides move one place after the timed match ends
- The players on the last court move to the first court on the opposite end
- Playing a match or competition for the first time can be very daunting and even stressful for many beginner players. It is important for the tennis coach to ensure that the beginner players feel comfortable playing points and with that, they are confident with how they can win and lose points.
- Point play begins with a drop-hit serve to the opponent
- Players may have two chances to serve
- Opponents alternate serves every two points
- Score is kept in single numbers using a fun scoring method (clothespins)
- At the end of the allotted time, players then rotate
- As a reminder, providers will not emphasize scoring by keeping track of the results at the end of a rotation. Players will shake hands, replace their clothespins, and rotate to their next match.
- Participants may win and lose the points in competition by:
 - Missing the ball
 - Hitting the ball out of the court area
 - Hitting the ball into the net
 - Allowing the ball to bounce twice without returning it
 - Double faulting (i.e. missing both the first and second serves)

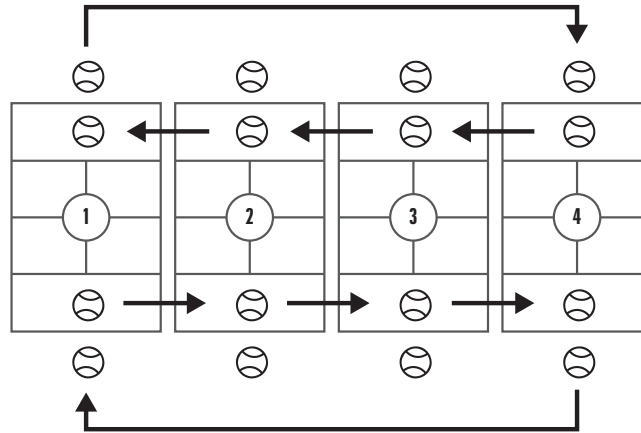
Quick Tip

Points are kept with clothespins to facilitate the players learning how to keep score

One minute of transition from match to match:

Play five Team Matches, each eight minutes long.

ILLUSTRATION: TEAM SINGLES ROTATION



VI. Wrap Up (2 minutes)

Character Development ✓

Provider reviews the play for the day and character development (Sportsmanship):

- What did you enjoy about the team challenge?
- How will you continue to practice, play, and show good sportsmanship?

Finish with a chant of encouragement and have participants huddle together with hands in the middle.

VII. Meal/Snack (Optional)



The Future of Tennis is Here





**Together we
Will Grow
the Game**

